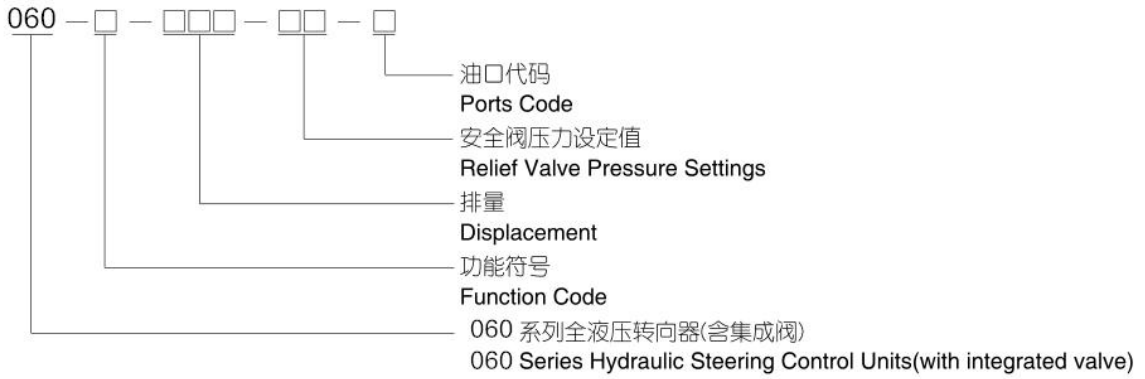




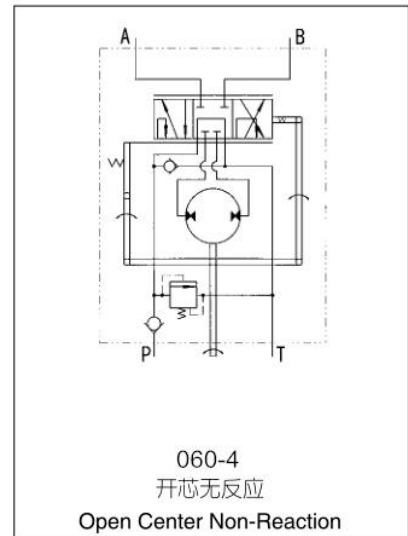
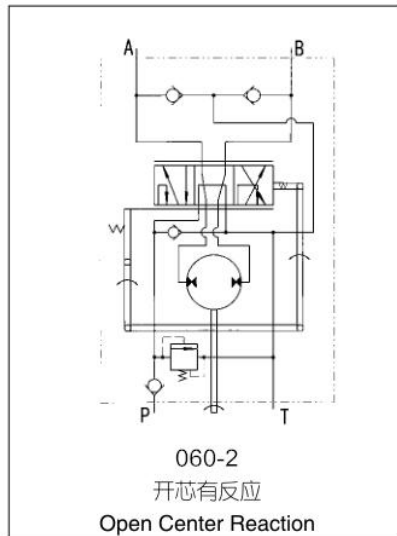
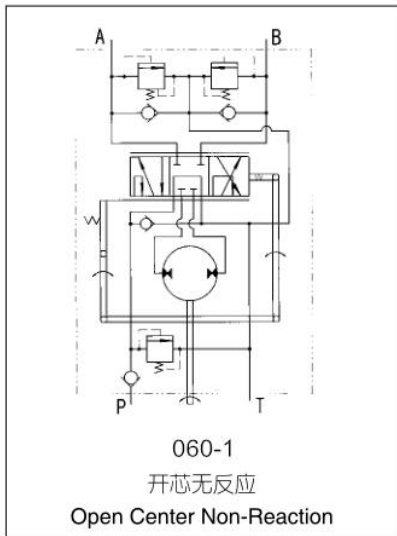
060-1、2、4 系列全液压转向器

060-1,2,4 Series Hydraulic Steering Control Units (SCU)

型号说明 Order Code



功能符号 Function Code

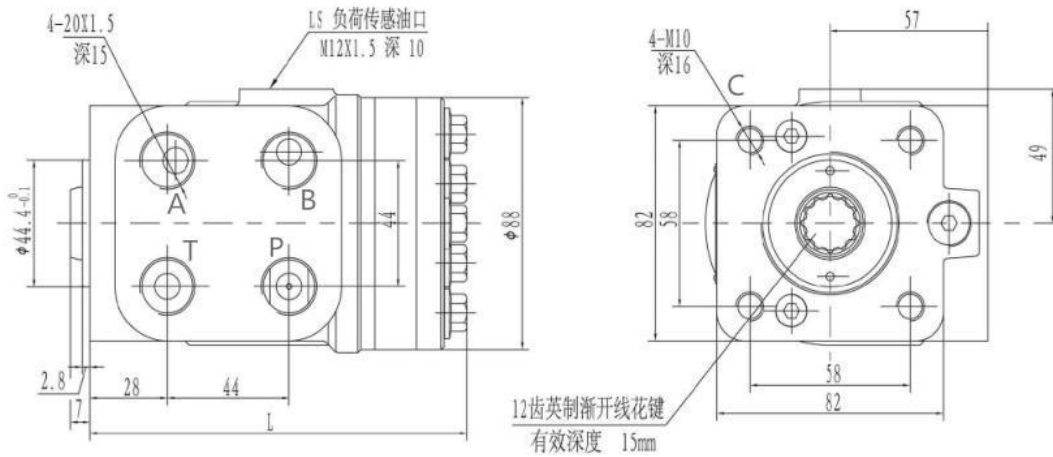




060-1、2、4 系列全液压转向器
060-1,2,4 Series Hydraulic Steering Control Units (SCU)

主要技术参数 Main Specification

Parameters	Type 060-*****											
	1,2,4								1,4			
Function Code												
Displacement(mL/r)	50	63	80	100	125	160	200	250	280	315	400	
Rated flow (L/min)	5	6	8	10	12.5	16	20	25	28	32	40	
Max. input pressure (MPa)	17.5											
Relief Valve Pressure Settings (MPa)	06,07,08,10,12,14,15,16,17.5											
Shock Valves Pressure Settings (MPa)	12,13,14,16,18,20,21,22,23.5											
Max. cont. back pressure (MPa)	2.5											
Weight (kg)	5.75	5.81	5.89	5.96	6.1	6.3	6.5	6.73	6.91	7.1	7.5	
Dimension L (mm)	130	132	134	137	140	145	150	156	161	166	176	



油口螺纹 Ports Threads

代码 Code	P、T、A、B油口 Ports P、T、A、B	连接螺纹C Column Mounting C	连接螺纹V Valve Mounting V	
A	M20×1.5	M10	M12	
B	M20×1.5 O-ring			
C	M18×1.5			
D	M18×1.5 O-ring		M10×1	
E	G1/2			
U	G1/2 O-ring	3/8-16 UNC	M12	
M	3/4-16UNF O-ring			M10
F			M10×1.25	
I				M10
N		M10×1.25		

注1: 油口P、T、A、B的深度14 mm, 连接螺纹C、V的深度16 mm。
Note 1: Ports P, T, A, B Depth : 14 mm; Column Mounting C & V Depth: 16 mm.
注2: 其他油口连接方式协议确定代号。
Note 2: The code of other ports dimensions will be listed in an agreement.



060-1、2、4 系列全液压转向器
060-1,2,4 Series Hydraulic Steering Control Units (SCU)

060-1、2、4 产品订货编号 Order Code

	Pos.1	Pos.2	Pos.3	Pos.4
060	-	*	-	***

Pos.1 - 功能符号 Function Code

其中: 1:开芯无反应 1:Open Center Non-Reaction
2:开芯有反应 2:Open Center Reaction
4:开芯无反应 4:Open Center Non-Reaction

Pos.2 - 排量 Displacement mL/r

50、63、80、100、125、160、200、250、280、315、400

Pos.3 - 集成阀参数组合 Integrated Valve Parameter

安全阀压力设定值: Relief valve pressure settings (MPa):06、07、08、10、12、14、15、16、17.5
(缓冲阀压力设定值比安全阀压力高6MPa)
Shock valves pressure settings is 6 MPa higher than relief valve

Pos.4 - 油口代码 Ports Code

A、B、C、D、E、U、M、F、I、N

应用举例:

060 系列转向器, 开芯无反应, 排量125mL/r, 入口有单向阀, 安全阀压力10MPa, 缓冲阀压力16MPa, 四油口螺纹为G1/2, 平面密封, 转向柱法兰连接螺纹M10。

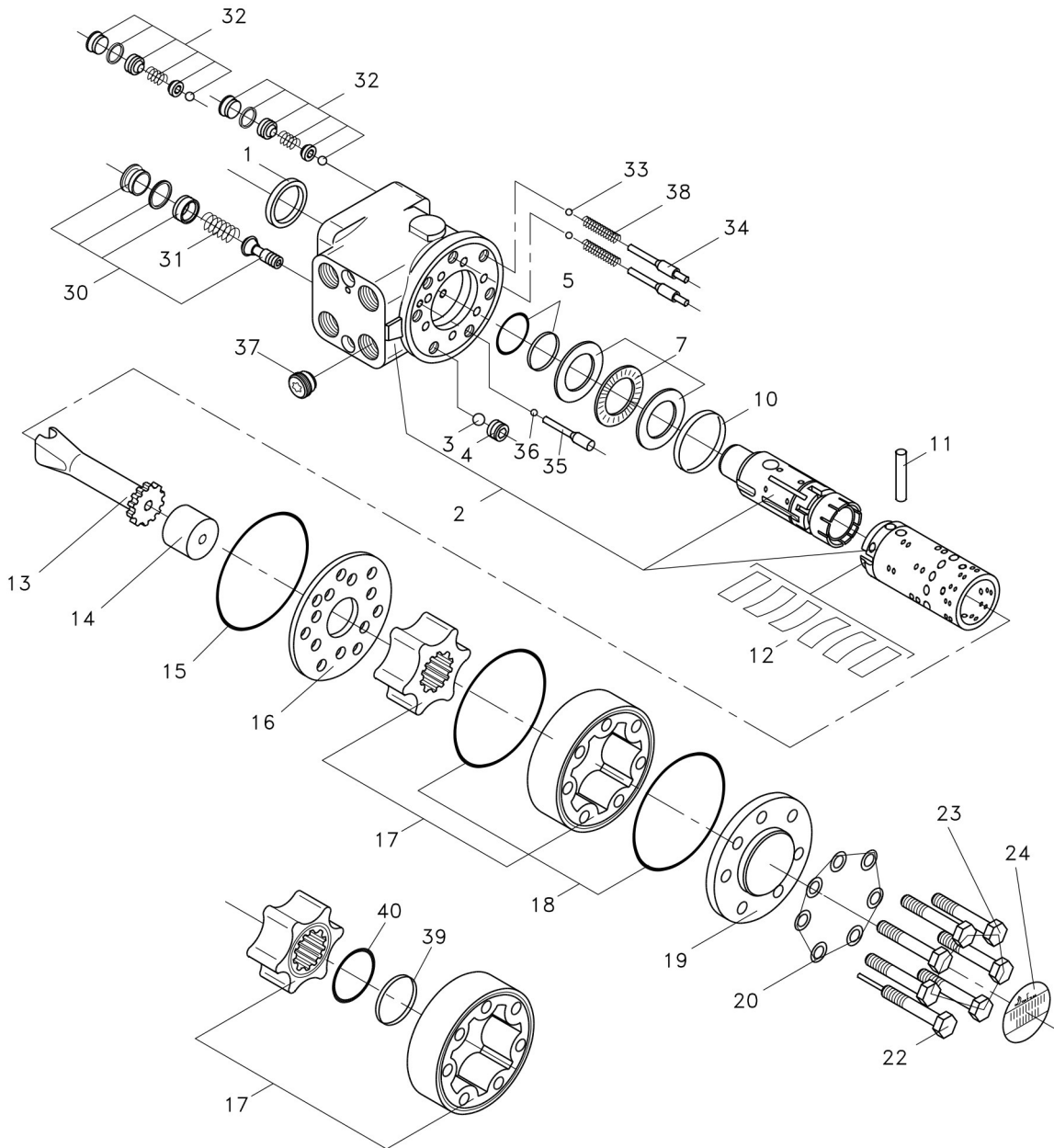
转向器订货编号为: 060-1-125-10-E

For example:

Order code

060-1-125-10-E

- Ports: P ,T ,A, B G1/2;
- Column Mounting Thread C M10
- Relief Valve Pressure Settings: 10Mpa;
- Shock Valves Pressure Settings: 16MPa
- Displacement: 125 mL/r
- Open Center Non-Reaction



- | | | | | | |
|----|---|----|-------------------|----|------------------------|
| 1 | Dust seal ring | 14 | Spacer | 24 | Name plate |
| 2 | Housing, spool and sleeve.
Check valve and the seats for relief
and shock valves are locktited. | 13 | Cardan shaft | 30 | Complete relief valve |
| 3 | Ball 8.5 mm [0.33 in] | 12 | Set of springs | 31 | Spring wire |
| 4 | Thread bushing | 15 | O-ring | 32 | Complete shock valve |
| 5 | O-ring used with kin-ring (item 6) | 16 | Distributor plate | 33 | Ball $\frac{3}{16}$ in |
| 6 | Kin-ring | 17 | Gearwheel set | 34 | Spring |
| 7 | Bearing assembly | 18 | O-ring | 35 | Roller pin |
| 10 | Ring | 19 | End cover | 36 | Bushing |
| 11 | Cross pin | 20 | Washer | 37 | Ball |
| | | 22 | Special screw | 38 | Kin ring |
| | | 23 | Screw | 39 | O-ring |
| | | | | 40 | |

专业做液压-专注做精品

PROFESSIONAL ON HYDRAULIC- FOCUS ON HIGH QUALITY



石家庄寒九科技有限公司

地址：中国河北石家庄友谊北大街368号

电话：+86 (311) 68123061

传真：+86 (10) - 80115555-568844

邮编：050000

网址：www.hjhydraulic.com

邮箱：manager@sjzhjism.com

SHIJIAZHUANG HANJIU TECHNOLOGY CO.,LTD.

Add: No. 368 Youyi Street, Shijiazhuang, Hebei, China

Tel: +86 (311) 68123061

Fax: +86 (10) - 80115555-568844

Post code: 050000

Web: www.hjhydraulic.com

Email: manager@sjzhjism.com